

- In a Cisco device, where is the IOS file stored prior to system startup?
RAM
ROM
Flash
NVRAM
- Users in the network are experiencing slow response time when doing file transfers to a remote server. What command could be issued to determine if the router has experienced any input or output errors?
show running-config
show startup-config
show interfaces
show ip route
show version
show memory
- Which three terms correctly define the forms of help available within the Cisco IOS? (Choose three.)
hot keys
context-check
context-sensitive
structured check
command override
command syntax check
- A network administrator needs to keep the user ID, password, and session contents private when establishing remote CLI connectivity with a router to manage it. Which access method should be chosen?
Telnet
Console
AUX
SSH
- When network services fail, which port is most often used to access a router for management purposes?
AUX
Ethernet
Console
Telnet
SSH

6.

```

NA-SW1# show ip interface brief
Interface      IP-Address      OK? Method Status Protocol
Vlan1          192.168.250.200 YES manual  up    up
FastEthernet0/1 unassigned      YES unset   up    up
FastEthernet0/2 unassigned      YES unset   up    up
FastEthernet0/3 unassigned      YES unset   up    up
FastEthernet0/4 unassigned      YES unset   up    up
FastEthernet0/5 unassigned      YES unset   up    up
FastEthernet0/6 unassigned      YES unset   up    up
FastEthernet0/7 unassigned      YES unset   down  down
--More--

```

Refer to the exhibit. What additional command is required to allow remote access to this switch from hosts outside the local network?

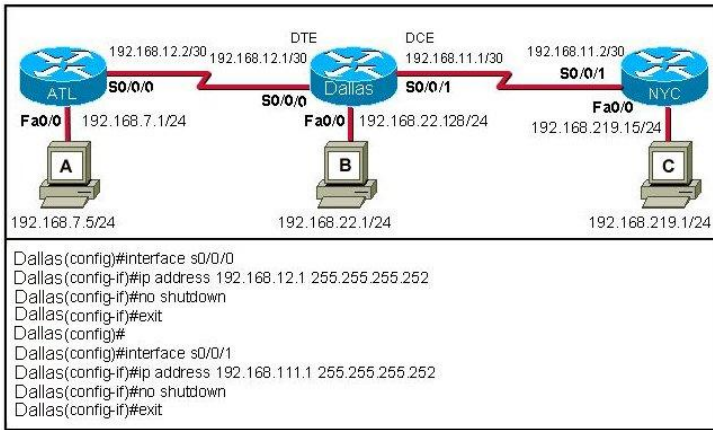
NA-SW1(config-if)# no shutdown

NA-SW1(config)# enable password password

NA-SW1(config)# ip default-gateway address

NA-SW1(config-if)# description description

7.



Refer to the exhibit. A student is responsible for the IP addressing, configuration and connectivity testing of the network shown in the graphic. A ping from host B to host C results in a destination unreachable but a ping from host B to host A was successful. What two reasons could account for this failure based on the graphic and partial router output for the Dallas router? (Choose two.)

The host A is turned off.

The Fa0/0 interface on Dallas is shutdown.

The LAN cable is disconnected from host B.

The S0/0/1 IP address of Dallas is improperly configured.

The Fa0/0 interface on Dallas is in a different subnet than host B.

The clock rate is missing on the serial link between Dallas and NYC.

8. Which combination of keys would be used at the CLI prompt to interrupt a ping or traceroute process?

Ctrl-C

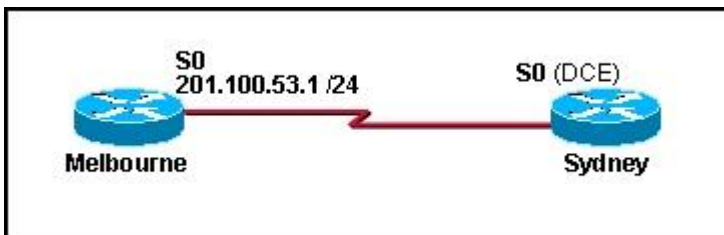
Ctrl-P

Ctrl-R

Ctrl-Shift-6

Ctrl-Z

9.



The serial connection shown in the graphic needs to be configured. Which configuration commands must be made on the Sydney router to establish connectivity with the Melbourne site? (Choose three.)

Sydney(config-if)# ip address 201.100.53.2 255.255.255.0

Sydney(config-if)# no shutdown

Sydney(config-if)# ip address 201.100.53.1 255.255.255.224

Sydney(config-if)# clock rate 56000

Sydney(config-if)# ip host Melbourne 201.100.53.2

10.

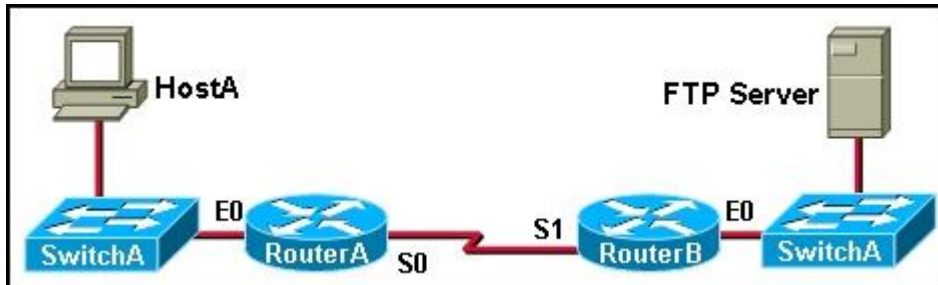
```

Router(config)# service password-encryption
Router(config)# enable secret cisco
Router(config)# enable password class
Router(config)# line console 0
Router(config-line)# password ccna
  
```

Refer to the exhibit. A technician applies the configuration in the exhibit to a clean router. To verify the configuration, the technician issues the show running-config command in the CLI session with the router. What lines should the technician expect to see in the router output from the show running-config command?

```
enable secret 5 $1$v0/3$QyQWmJyT7zCa/yaBRasJm0
enable password 7 14141E0A1F17
line console 0
password 7 020507550A
```

11.



Refer to the exhibit. A network administrator on HostA has problems accessing the FTP server. Layer three connectivity testing was successful from HostA to the S1 interface of RouterB. Which set of commands will allow the network administrator to telnet to RouterB and run debug commands?

```
RouterB(config)# enable secret class
RouterB(config)# line vty 0
RouterB(config-line)# password cisco
RouterB(config-line)# login
```

12. Immediately after a router completes its boot sequence, the network administrator wants to check the routers configuration. From privileged EXEC mode, which of the following commands can the administrator use for this purpose? (Choose two.)

```
show version
show flash
show startup-config
show NVRAM
show running-config
```

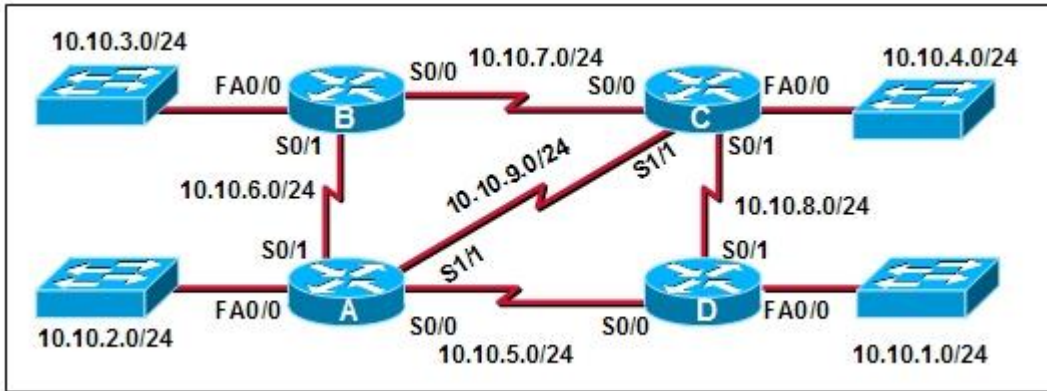
13. What command is used to change the default router name to Fontana?

```
Router# name Fontana
Router# hostname Fontana
Router(config)# name Fontana
Router(config)# hostname Fontana
```

14. In a Cisco router, when do changes made to the running-configuration take effect?

```
after a system restart
as the commands are entered
when logging off the system
when the configuration is saved to the startup-configuration
```

15.



The connection between routers B and C has been successfully tested. However, after rebooting router C, the administrator noticed the response time between networks 10.10.3.0 and 10.10.4.0 is slower. Ping between the two routers is successful. A trace route indicates three hops from router B to router C. What else can be done to troubleshoot the problem?

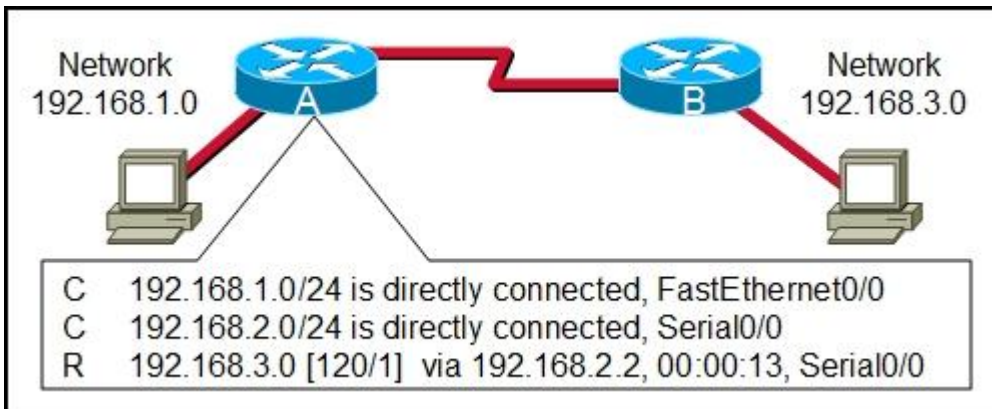
Ping router B S0/1 connection from router C.

Trace the connection between router B to router C S0/1.

Issue a show ip route command in router B to verify routing is enabled.

Issue a show ip interface brief command on router C.

16.



Refer to the exhibit. The output is shown for the show ip route command executed on Router A. What does the IP address 192.168.2.2 represent?

Gateway for the 192.168.1.0 network

Gateway used by hosts in the 192.168.3.0 network

IP assigned to the serial port on Router A

IP assigned to the serial port on Router B

17.



Refer to the exhibit. What command will place the router into the correct mode to configure an appropriate interface to connect to a LAN?

UBAMA# configure terminal

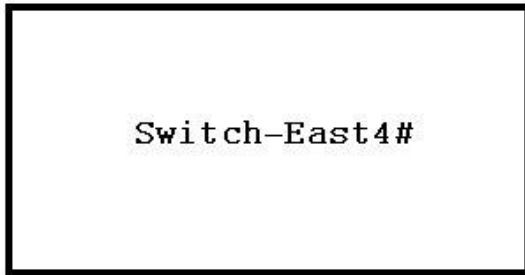
UBAMA(config)# line vty 0 4

UBAMA(config)# line console 0

UBAMA(config)# interface Serial 0/0/0

UBAMA(config)# interface FastEthernet 0/1

18.



Refer to the exhibit. Which names correctly identify the CLI mode represented by the prompt for Switch-East4#? (Choose two.)

line configuration mode

user executive mode

global configuration mode

privileged executive mode

interface configuration mode

enable mode

19. On a Cisco router, which interface would be used to make the initial configuration?

